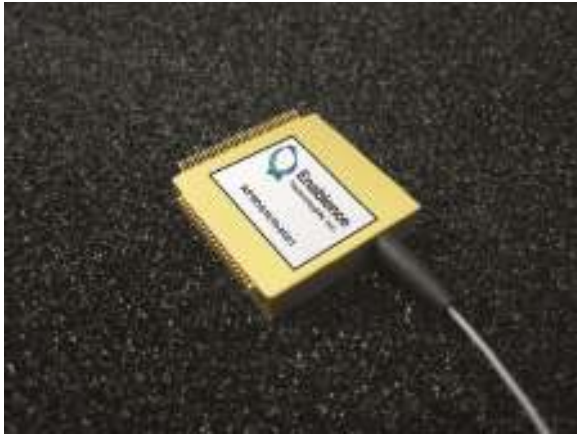


10x10G Receive Optical Sub-Assembly



Enablence Technologies' 10×10G Receive Optical Sub-Assembly (ROSA) module is composed of a silica PLC AWG demultiplexer, ten 10Gb/s PINs, ten TIAs, TEC heater/cooler and thermistor integrated in a single receiver package.

BENEFITS

- Smaller form factor
- Low insertion loss
- High channel-to-channel uniformity
- Low crosstalk
- Accurate channel alignment to the ITU grid

FEATURES

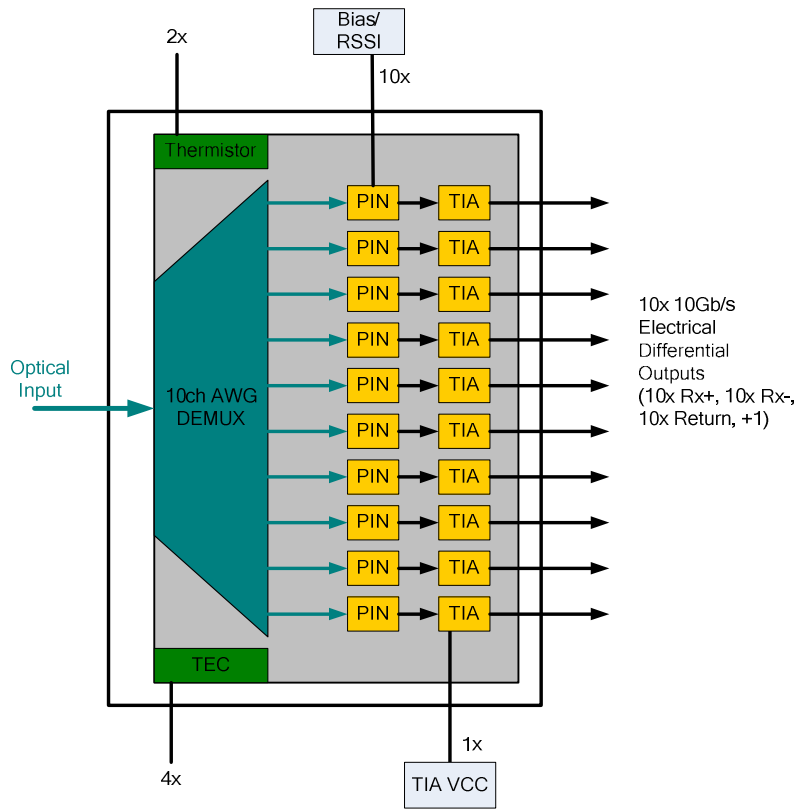
- Wavelength monitoring
- Eight ITU wavelength grids in C-band
- 40 km reach standard; longer distances available
- Sensitivity better than -12.5dBm

APPLICATIONS

- DWDM Transmission

[DATA SHEET](#)

Optical Schematic



For more information
visit www.enablence.com

©2010 Enablence Technologies Inc. The information presented is subject to change without notice. Enablence Technologies Inc. assumes no responsibility for changes or inaccuracies contained herein. Copyright © 2010 Enablence Technologies Inc. All rights reserved.