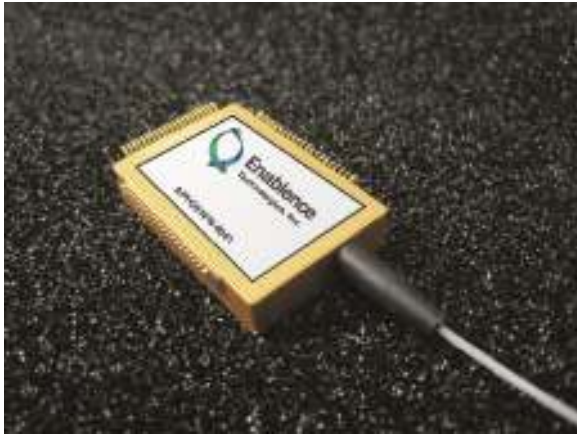


10x10G Transmit Optical Sub-Assembly



Enablence Technologies' 10x10G Transmit Optical Sub-Assembly (TOSA) module is composed of a silica PLC AWG multiplexer, ten electrical absorption modulator lasers (EML), ten monitor photodiodes, TEC heater/cooler, thermistor and an optical isolator integrated in a single transmitter package.

BENEFITS

- Smaller form factor
- Low insertion loss
- High channel-to-channel uniformity
- Low crosstalk
- Accurate channel alignment to the ITU grid

FEATURES

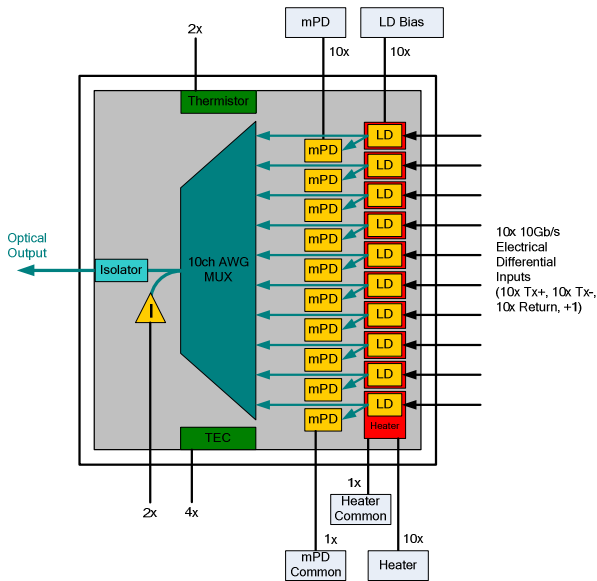
- Wavelength monitoring
- Eight ITU wavelength grids in C-band
- 40 km reach standard; longer distances available
- Minimum output power per channel: -8 dBm

APPLICATIONS

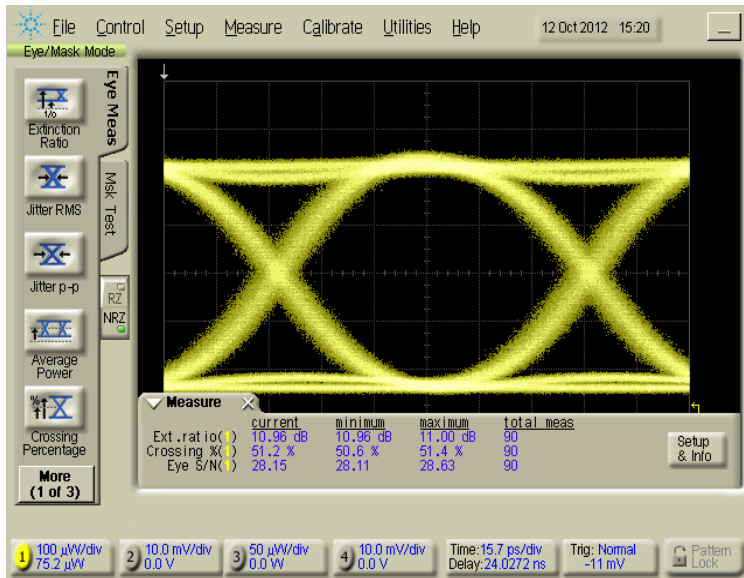
- DWDM Transmission

[DATA SHEET](#)

Optical Schematic



Typical TOSA Eye Diagram



For more information
visit www.enablence.com

©2010 Enablence Technologies Inc. The information presented is subject to change without notice. Enablence Technologies Inc. assumes no responsibility for changes or inaccuracies contained herein. Copyright © 2010 Enablence Technologies Inc. All rights reserved.