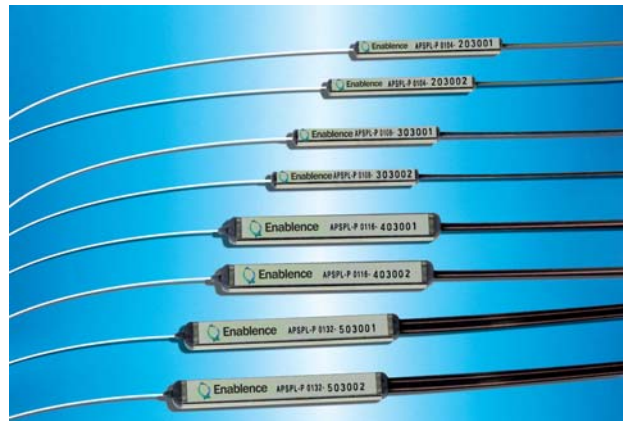


# POLARIZATION MAINTAINING PLANAR OPTICAL SPLITTER/COUPLER MODULE

Enablence Technologies offers polarization maintaining (PM) 1xN optical splitter/coupler modules based on our patented CVD process for planar lightwave circuit (PLC) fabrication. PM fibers are bonded to the PLC circuit chips using precision multi-fiber alignment techniques. Our splitter/coupler modules feature low insertion loss, low polarization dependence and high polarization extinction ratio over a wide wavelength range.



## BENEFITS

- Higher Extinction Ratio Available
- 32-channel Available Upon Request
- Other Types of PM Fibers Available Upon Request

## FEATURES

- High Channel Counts and Extinction Ratio
- Compact Design
- Wide Band and Operating Temperature

## APPLICATIONS

- Splitting or Combining Output Power of Transmitters Using Polarization Maintaining Fiber
- Test Bed

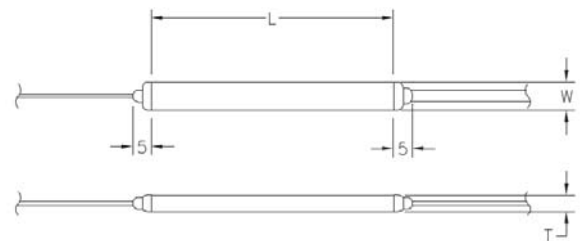
[DATA SHEET](#)

## OPTICAL PERFORMANCE

Parameter	Specification			Units	Comments
	1 x 4	1x8	1x16		
Operational Wavelength	1310±40 and 1550±40			nm	
Insertion Loss (IL) Maximum	≤7.40	≤10.8	≤14.5	dB	Worst Case Port. Losses are without connectors
Uniformity	≤0.80	≤0.90	≤1.30	dB	Difference between best and worst IL's
Extinction Ratio	≥18			dB	
Return Loss/Directivity	55			dB	
Operation Temperature	-20 ~ 70			°C	
Storage Temperature	-40 ~ 85			°C	
Dimension	See Physical Dimensions				
Fiber Type	PM Panda Fiber				

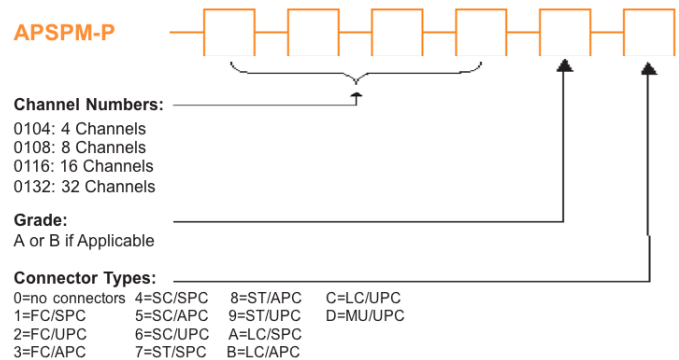
## PHYSICAL DIMENSIONS (UNITS: MM)

Ports	1x4	1x8	1x16
L	60	60	60
W	10	15	15
T	6	6	6



## ORDERING INFORMATION

Example: APSPM-P01165 = 1x16-channel in package form with Panda PM fibers and SC/APC connectors



For more information  
visit [www.enablence.com](http://www.enablence.com)